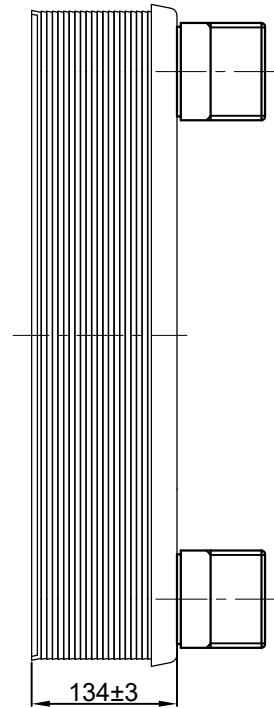
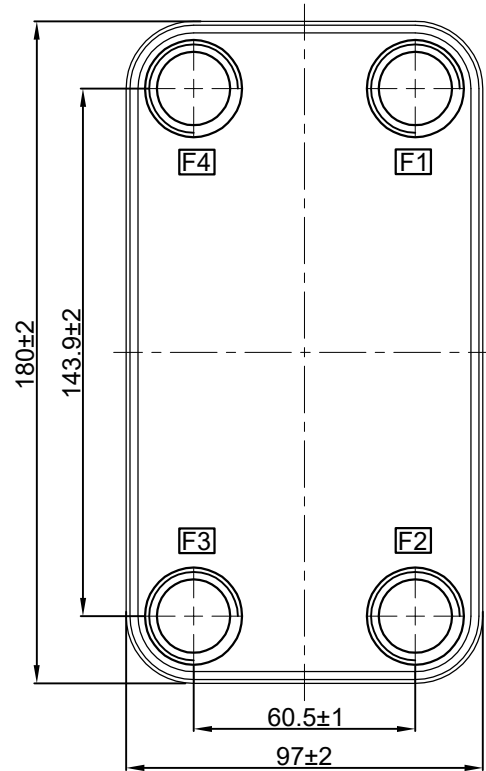


"Термосистемы" г. Краснодар

8-800-301-02-65

info@teploobmennik-russia.ru

www.teploobmennik-russia.ru

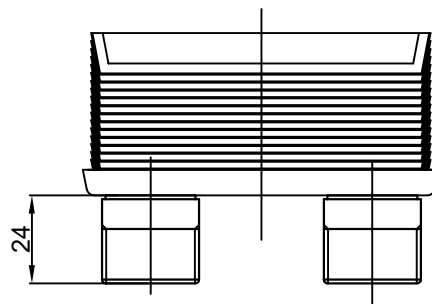
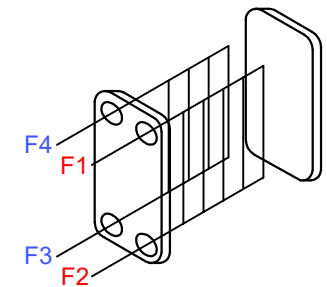
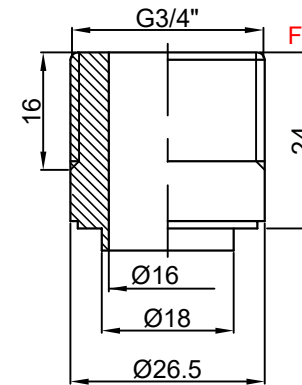


G3/4"C Connection(L011)

F1 F2  
F3 F4

F3 F4 нагреваемая сторона: F3 вход, F4 выход

F1 F2 греющая сторона: F1 вход, F2 выход



Design pressuer(MPa)	3.0
Testing pressuer(MPa)	4.5
Design Temperature(°C)	-196~+200°C
Label Code	

FHT5433-137		50	82±3	F1F2side:0.48 ;F3F4side:0.46	2.64	0.82
FHT5433-136		40	67±2	F1F2side:0.38 ;F3F4side:0.36	2.24	0.65
FHT5433-135		30	53±2	F1F2side:0.29 ;F3F4side:0.27	1.84	0.48
FHT5433-134		20	38±2	F1F2side:0.19 ;F3F4side:0.17	1.44	0.31
FHT5433-133		10	24±2	F1F2side:0.10;F3F4side:0.08	1.04	0.14
Drawing No.	Customer Part No.	Plate No.	A(mm)	Volume(L)	Weight (kg)	Heat transfer area(m <sup>2</sup> )

Connection vertical degree: ±2°

Plate material: 316L

Connection material: 304

Cover plate material: 304

SNB017G-N-3.0-H /  
F1F2F3F4(G3/4"C)

Mark No.	Change file No	sign	Date
Design	SONG	Standard	
Check		Approved	
Review		Edition	A/0
Process		Date	20221018



View

Scale

Size



1:2

FHT5433-(133-137)